

Rubber-metal element Type GMA-1, GMA-2

Stopper buffer, cylindrical cross section



Type GMA-1



Type GMA-2

Structure type GMA-1 / GMA-2

- Type GMA-1 one side with threaded bolt (male thread)
- Type GMA-2 one side with nut thread (female thread)

Metal parts

- Material: 1.0038 (S235JR) / 8.8
- Corrosion protection: oiled or electrogalvanized

Rubber element

- Cylindrical rubber element with metal plate vulcanized onto one side

Rubber grade	Rubber hardness	Possible uses
NBR	medium – 60 Shore A	Water, gas, fuel oil, mineral oil

Dimensions/stress type GMA-1

ø D mm	H mm	h mm	s mm	G mm	l mm	Compressive stress		Art. No.	Pck. qty.
						Spring rate c_z N/mm	Load F_{tol}^* N		
18	7.5	5.5	2	M 6	16.0	350	240	51873300-00	100
20	13.5	11.5	2	M 6	16.0	150	260	51873400-00	100
25	17.0	14.0	3	M 6	16.0	180	380	51873500-00	100
30	17.0	14.0	3	M 8	21.0	360	760	51883900-00	60
40	27.0	24.0	3	M 8	21.0	270	970	51884000-00	50
50	21.0	18.0	3	M 10	26.5	650	1760	51884100-00	20
75	25.0	22.0	3	M 12	39.0	1400	4620	51884200-00	8
100	40.0	37.0	3	M 16	44.0	1400	7770	51873600-00	4

Dimensions/stress type GMA-2

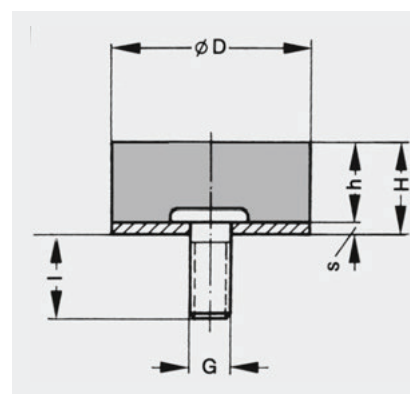
ø D mm	H mm	h mm	s mm	G mm	l mm	Compressive stress		Art. No.	Pck. qty.
						Spring rate c_z N/mm	Load F_{tol}^* N		
20	13.5	12.0	1.5	M 6	9.5	220	230	51873700-00	100
30	17.0	14.0	3.0	M 8	9.5	550	620	51885400-00	80
40	27.0	24.0	3.0	M 8	9.5	350	920	51873800-00	40
50	21.0	18.0	3.0	M 10	10.5	700	1100	51885500-00	20
75	25.0	22.0	3.0	M 12	12.5	1700	3200	51885600-00	20
100	40.0	37.0	3.0	M 16	16.5	1400	4950	51885700-00	12
150	75.0	70.0	5.0	M 20	17.5	1350	11650	51873900-00	4

* F_{tol} is the tolerable static permanent load; a dynamic alternating load can be superimposed.
The stated tolerable loads are only approximate indications for the static load.
Delivery only possible in the stated packaging quantities (far-right column).

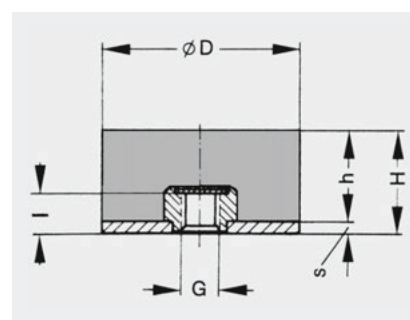
Applications

- as shock buffer stopper
- to limit impact in machinery on elastic bearings
- to limit spring excursion in vehicles
- for machines which are not firmly anchored on susceptible flooring
- for damping sound and vibration
- for compressive stress
- for superimposed compressive/shearing stress

Versions



Type GMA-1
One side with male thread



Type GMA-2
One side with female thread

Note

Please comply with general technical instructions. Subject to technical alterations and deviations resulting from the manufacturing process.